

MULTI-LOAD STACK DRYERS

ENERGY ADVANTAGE LINE – VEND: MLG35 AND MLG52



MICROPROCESSOR CONTROLS

- Easy-to-read diagnostics assist with quick identification of an issue helping to get the machine back into service
- Owners can control time-of-day pricing and additional costs for end-user upgrades
- End users have option to select ideal cycle for individual drying needs
- Easy-to-read Time Remaining Digital Display informs users of cycle times to help reduce bottlenecks



AXIAL AIRFLOW SYSTEM

- Consistent drying with low BTUs
- Helps manage utility costs while still providing effective drying for efficient machine turnover



OWNER-PROGRAMMABLE SINGLE-PHASE REVERSING CYLINDER

- Helps separate fabrics to promote effective dry cycles helping to reduce tangling and wrinkles



BUILT TO LAST

- Four Roller Suspension with Permanently Lubricated Bearings - provides consistent drying
- Heavy Duty Motor – designed to handle large loads with ease
- Extra-Large Door Opening with Dual-Pane Door Glass – provides unhindered access while loading and unloading, and dual-pane glass helps keep heat inside for optimal drying



COIN EQUIPPED
MLG52PDBWS pictured
(Also available in White)



COIN EQUIPPED
MLG35PDCBWW pictured
(Also available in Stainless)

MULTI-LOAD STACK DRYERS – ENERGY ADVANTAGE LINE		
CAPACITY	MODEL NUMBER	COLOR
35 lb	MLG35PDBWW	White
35 lb	MLG35PDBWS	Stainless
50 lb	MLG52PDBWW	White
50 lb	MLG52PDBWS	Stainless



See maytagcommerciallaundry.com for warranty details.

VISIT MAYTAGCOMMERCIALLAUNDRY.COM FOR MORE INFORMATION.

MULTI-LOAD STACK DRYERS

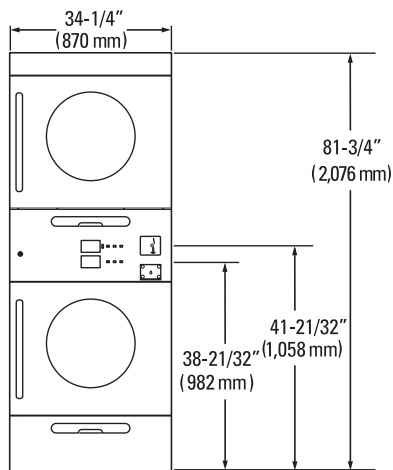
ENERGY ADVANTAGE LINE – VEND: MLG35 AND MLG52



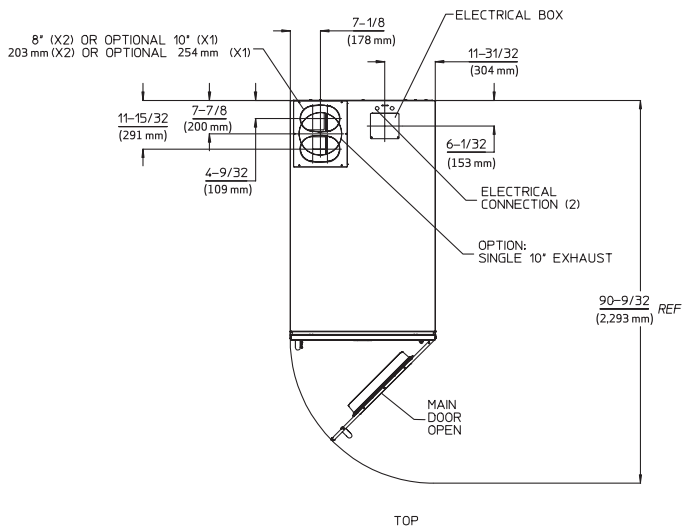
GAS MULTI-LOAD STACK DRYERS 120V/60 HZ/1 PHASE

MLG52

FRONT VIEW



TOP VIEW



Dimensions are for planning purposes only. See specific instructions for proper installation. Because of continuous product improvement, Maytag reserves the right to change specifications without notice.

MODELS	MLG35 (PD)	MLG52 (PD)
CAPACITY		
Number of Dryer Pockets	2	2
Cylinder Volume Each Pocket — cu. ft. (liters)	12.27 (347)	16 (453)
Cylinder Diameter Each Pocket — in. (mm)	30 (762)	35.72 (907)
Cylinder Depth Each Pocket — in. (mm)	30 (762)	32.75 (832)
Dry Load Capacity Each Pocket — lb (kg)	35 (15.8)	50 (22.68)
GAS SPECS/AIRFLOW		
Drive Motor Size — hp (kW)	1/4 (.19)	1/3 (.25)
Blower Motor Size — hp (kW)	1/2 (.37)	1/4 (.19)
Airflow Type	AXIAL	AXIAL
Airflow — cfm (cmm)	380 (10.76)	540 (15.2)
Gas Inlet Size — in. (mm)	.5 (12.70) M.N.P.T.	.5 (12.70) M.N.P.T.
Heat Input, Gas — btu/hr (kcal/hr)	64,000 (16,138) / Pocket	110,000 (27,720) / Pocket
Number of Exhausts	2	2
Exhaust Duct Diameter — in. (mm)	2 x 6 (152.4)	2 x 8 Standard (203.2)
ELECTRICAL REQUIREMENTS		
Breaker/Fuse — amps	15 / Pocket	15 / Pocket
DIMENSIONS		
Depth — in. (mm)	39.632 (1,006)	56.54 (1,436)
Width — in. (mm)	31.13 (791)	34.25 (870)
Height — in. (mm)	80.38 (2,042)	81.75 (2,076)
Door Opening — in. (mm)	19.38 (492)	23.75 (603)
APPROXIMATE WEIGHT		
Uncrated — lb (kg)	600 (272)	910 (413)
Crated — lb (kg)	630 (286)	960 (435)
CONTROL/USER INTERFACE		
Control Type	Microprocessor	Microprocessor
Display Type	Digital	Digital
Vended Controller	Yes	Yes
OPL Controller	No	No
CONSTRUCTION		
Cylinder	Galvanized Steel	Galvanized Steel
Top	Painted CRS	Painted CRS
Front	White/Stainless Steel	White/Stainless Steel
Side	Painted CRS	Painted CRS

