

ADC EcoDry ADFG-6

Firefighters' Turnout Gear Drying Cabinet

Standard Features:

- Red or white cabinet
- Dries six sets of turnout gear
- Six removable coat and pants hangers
- Self-diagnostic microprocessor control
- Two independent heating and fan systems
- Directed airflow
- Solid construction
- Drainage basin

Optional Features:

- Stainless steel cabinet
- Glove hanger
- Boot hanger
- Adjustable single shelf



Firefighters risk their lives every day and depend on their equipment to protect them against the demanding and dangerous environment in which they work. The last thing they need to worry about is their firefighters' turnout gear. This is why ADC, the world leader in drying technology, is offering the ADFG drying cabinet—designed specifically for drying firefighter turnout gear.

Unlike a traditional tumble dryer that may not be able to effectively dry these heavier, bulkier garments, the ADFG drying cabinet allows for gear to be hung inside, so warm air can circulate through coats, pants, gloves and boots. This ensures that all items are dried, avoiding any water getting trapped in seams or pockets. This guarantees the firefighters' comfort and prolongs the life of their equipment.

Why Buy the ADC ADFG Drying Cabinet?

Design & Construction

Completely manufactured in Massachusetts, the ADFG is constructed using heavy-duty, cold-rolled steel with reinforced base, sides, and door panels. Finished with the most durable powder coating, baked on at 425° fahrenheit, the ADFG ensures years of performance under the heaviest conditions. (A full stainless steel cabinet is also available as an option.)

ADFG Microprocessor Controls

The phase-7 microprocessor takes the guesswork out of drying! ADC was the first company to develop a microprocessor for commercial and industrial dryers and the phase-7, one touch micro, incorporates the same technology making drying simple and error-free. With six factory presets and the ability to add and modify additional cycles, one touch is all it takes. Depending on the number of items, the micro can be set to dry for up to four hours. Press the button and walk away.



Performance

The last thing a firefighter needs to worry about is whether their equipment is dry and ready to go. Designed to hold up to six sets of gear, the unique airflow pattern is delivered using two separate blowers and ensures that warm air penetrates even the tightest areas. Boots and gloves are provided with individual hangers making sure no residual moisture is left in the equipment. A sturdy shelf and hose hangers are also available to fit perfectly inside the cabinet.

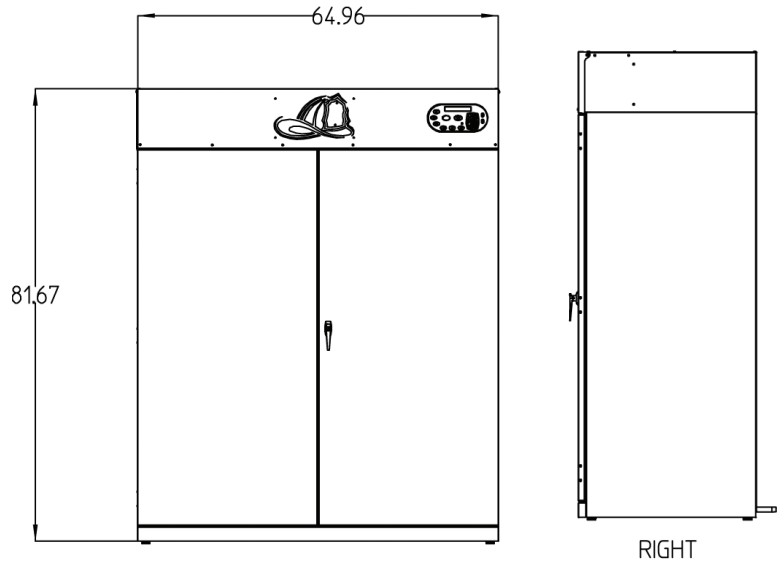
When it comes to drying, the world turns to ADC. For more information about this and other great drying products, visit www.adclaundry.com or contact our sales department directly at (508) 678-9000.

Your local ADC independent authorized distributor

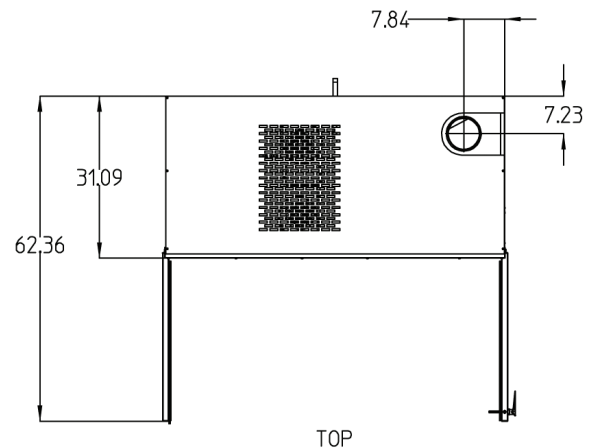
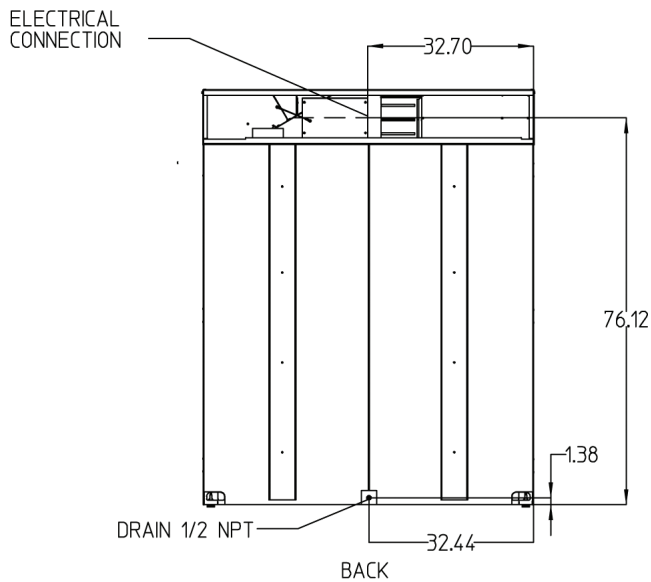
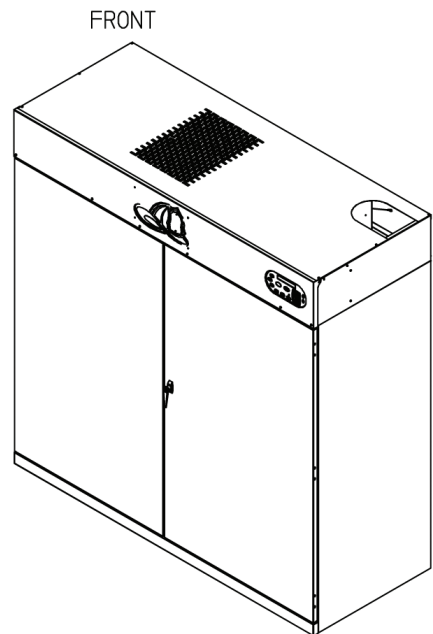


ADC EcoDry ADFG-6

| ADFG-6 Drying Cabinet Specifications | | |
|--------------------------------------|------------------------|------------------|
| Capacity | 6 sets of turnout gear | |
| Width | 64.96" (1396 mm) | |
| Depth | 31.09" (79 mm) | |
| Height | 81.67" (2074 mm) | |
| Inside Dimensions | Width | 64.75" (1391 mm) |
| | Depth | 29" (735 mm) |
| | Height | 68" (1727 mm) |
| Electric Heating | 12 kW | |
| Exhaust Diameter | 6" (153 mm) | |
| Outlet Airflow | 300 cfm (8.5 cmm) | |
| Net Weight | 606 lbs (274.87 kg) | |
| Shipping Weight | 647 lbs (293.47 kg) | |



| Electrical Specs | | | | | | |
|------------------|-------|--------------|---------|-----------------|-------|-----------------|
| SERVICE VOLTAGE | PHASE | WIRE SERVICE | OVEN KW | APPROX AMP DRAW | | CIRCUIT BREAKER |
| | | | | 60 Hz | 50 Hz | |
| ELECTRIC | | | | | | |
| 200 | 1ø | 2 | 7.8 | 40.6 | -- | 60 |
| 208 | 1ø | 2 | 8.4 | 47.2 | 40 | 60 |
| 220 | 1ø | 2 | 9.4 | -- | 44.5 | 60 |
| 230 | 1ø | 2 | 10.3 | 46.7 | 46.5 | 60 |
| 240 | 1ø | 2 | 11.2 | 48.5 | -- | 60 |
| 208 | 3ø | 3 | 8.4 | 28 | -- | 35 |
| 220 | 3ø | 3 | 9.4 | 26.4 | -- | 35 |
| 230 | 3ø | 3 | 10.3 | 27.7 | -- | 40 |
| 240 | 3ø | 3 | 11.2 | 28.8 | -- | 40 |



QY160055 1/17

88 Currant Road, Fall River, MA 02720-4781 • 508.678.9000

www.adclaundry.com